

## IMAGENEX MODEL 881L 6000 m DIGITAL MULTI-FREQUENCY IMAGING SONAR

### APPLICATIONS:

- ROV, AUV, & UUV
- Offshore Oil & Gas
- Sunken Timber Recovery
- Diving Support
- Surveying
- Search & Recovery
- Inspection
- Underwater Archaeology
- Scientific Research

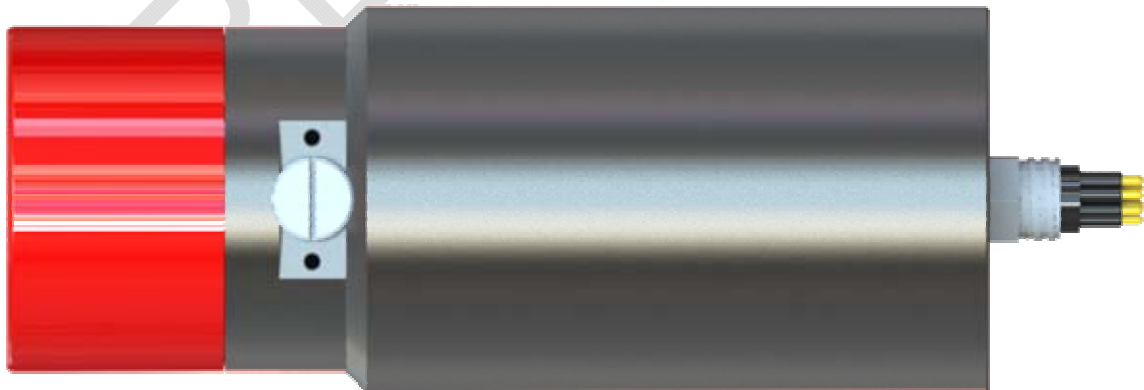
### FEATURES:

- **Ethernet**
- Programmable
- Multi-frequency
- High performance
- Lower cost
- Low power
- Simple set-up and installation
- Digital telemetry
- Full scale range from 1 m to 200 m
- Compact size
- Communication format available to user

Using Ethernet communications, this all-in-one, high performance digital imaging sonar can exceed 100 shots per second on the 1 m range at a 2 mm range resolution, producing near-photographic image quality.

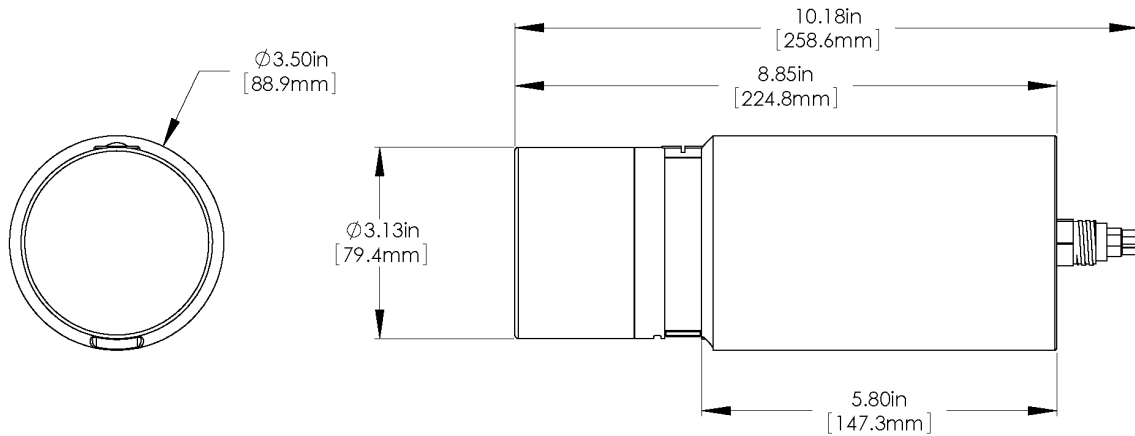
The 881L is a multi-frequency system that can operate with customized configurations or revert to default settings to match appropriate operating range scales.

In addition to the benefits of low power, a simple set-up and installation procedure make this powerful sonar an ideal tool for remotely operated platforms ranging from large work ROV's to small inspection vehicles, as well as AUV and UUV applications.



| <b>HARDWARE SPECIFICATIONS:</b> |  |
|---------------------------------|--|
| <b>FREQUENCY</b>                | 310 kHz, 675 kHz, or 1 MHz (default settings)<br>-Other frequencies can be selected through programmable software configurations<br>(Tunable from 280 kHz to 1.1 MHz in 5 kHz steps) |
| <b>TRANSDUCER</b>               | Imaging type, fluid compensated  |
| <b>TRANSDUCER BEAM WIDTH</b>    | 310 kHz: 4° x 40°<br>675 kHz: 1.8° x 20°<br>1 MHz: 0.9° x 10°  |
| <b>RANGE RESOLUTION</b>         | 1 m – 4 m: 2 mm (0.08")<br>5 m & up: 10 mm (0.4")  |
| <b>MIN. DETECTABLE RANGE</b>    | 150 mm (6")  |
| <b>MAX. OPERATING DEPTH</b>     | 6000 m   |
| <b>MAX. CABLE LENGTH</b>        | Standard: 100 m on CAT5e<br>Cable length may be increased up to ~9000 m using an Ethernet extender. Please enquire for more information.   |
| <b>INTERFACE</b>                | Standard: 10 Mbps Ethernet (10 BASE-T) using TCP/IP<br>Bit rate may vary if an Ethernet extender is in use.  |
| <b>CONNECTOR</b>                | Side mounted, eight conductor, wet mateable<br>(Subconn MCBH4M-Ti)<br>Optional right angle or end mount connector  |
| <b>POWER SUPPLY</b>             | 20 – 36 VDC at less than 5 Watts   |
| <b>DIMENSIONS</b>               | 88.9 mm (3.5") diameter x 225 mm (8.85") length  |
| <b>WEIGHT: In Air</b>           | ~3.1 kg (6.8 lbs)  |
| <b>In Water</b>                 | ~1.8 kg (3.9 lbs)  |
| <b>MATERIALS</b>                | Titanium & Polyurethane  |
| <b>FINISH</b>                   | None   |

| <b>SOFTWARE SPECIFICATIONS:</b>                   | <b>Win881L.exe, Win881AL.exe</b>   |
|---|--|
| <b>WINDOWS™ OPERATING SYSTEM</b>                  | Windows™ XP, Vista, 7, 8, 10   |
| <b>MODES</b>                                      | Sector, Polar and Side Scan  |
| <b>RANGE SCALES</b>                               | 1 m, 2 m, 3 m, 4 m, 5 m, 10 m, 20 m, 30 m, 40 m, 50 m, 60 m, 80 m, 100 m, 150 m, 200 m |
| <b>TRAIN ANGLES</b>                               | Continuous rotation, 3° increments   |
| <b>SECTOR SIZE:</b>                               |  |
| <b>SECTOR MODE</b>                                | 0° – 180°, 3° increments   |
| <b>POLAR MODE</b>                                 | 0° – 357°, 3° increments, or Continuous rotation                                       |
| <b>STEP SIZES</b>                                 | Slow (0.3°), Medium (0.6°), Fast (0.9°), Faster (1.2°), Fastest (2.4°)                 |
| <b>GRID TYPES</b>                                 | Polar and rectangular  |
| <b>FILE FORMAT</b>                                | (filename).81L   |
| <b>RECOMMENDED MINIMUM COMPUTER REQUIREMENTS:</b> | 100 MHz Pentium<br>16 MB RAM<br>1 GB Hard Disk<br>800 x 600 x 256 colour graphics      |



| <b>ORDERING INFORMATION:</b> |          |             |
|------------------------------|----------|-------------|
| <b>6000 m UNIT</b>           | Standard | 881-000-502 |
| End mount connector          | Option   | -009        |
| Right angle connector        | Option   | -010        |
| IP Address*                  | Option   | -020        |

\*Note: Standard IP Address is 192.168.0.5  
 A different IP Address may be specified upon ordering.

Product and company names listed are trademarks or trade names of their respective companies.