

IMAGENEX MODEL 872 “YELLOWFIN” SIDESCAN SONAR

APPLICATIONS:

- Underwater Archaeology
- Sunken Timber Recovery
- Search & Recovery
- Surveying
- Law Enforcement Work
- Scientific Research
- Environmental Survey

FEATURES:

- Triple frequency
- High resolution 1000 data points per side
- 300 m depth rating
- Up to 400 m (1300') total coverage
- 23 m (75') tow cable included
- LAN compatible
- Built-in track plotter
- Built-in internal GPS receiver
- Record to .XTF in real-time

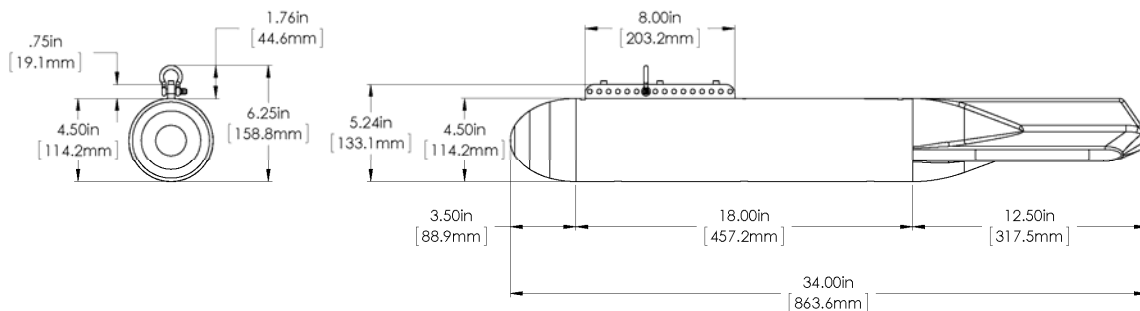
The Imagenex Model 872 “YellowFin” is a full-featured dual channel, high resolution, sidescan sonar. The YellowFin is an affordable, very user friendly system that incorporates a high speed Ethernet connection to your Windows™ based laptop or desktop PC. Integrated power and a built-in differential-ready GPS receiver complete this fantastic system. Zoom windows are available for target investigation without interrupting real-time data acquisition. Data is displayed in real-time, with or without speed correction, in 9 user selectable colour tables.



| UNDERWATER HARDWARE SPECIFICATIONS: | |
|--|--|
| FREQUENCY | 260 kHz / 330 kHz / 800 kHz nominal |
| TRANSDUCER | One transducer per side, tilted down 20° |
| TRANSDUCER BEAM WIDTH | 260 kHz: 2.2° x 75° 330 kHz: 1.8° x 60° 800 kHz: 0.7° x 30° |
| RANGE RESOLUTION | Range scale ÷ 1000 |
| MAX. OPERATING DEPTH | 300 m (~1000') |
| MAX. CABLE LENGTH | 600 m (~2000') |
| INTERFACE | Analog telemetry |
| CONNECTOR | Wet mateable (Subconn MCBH4M-AS) |
| POWER SUPPLY | 40 – 55 VDC at less than 3 Watts, supplied from Surface Interface Box |
| DIMENSIONS | 114 mm (4.5") diameter x 833 mm (32.8") length |
| WEIGHT: | 5.4 kg (12 lbs) not including ballast |
| In Water | |
| BALLAST | Standard diver belt weights (readily available at dive shops) |
| MATERIALS | Polyurethane & 6061-T6 Aluminum |
| FINISH | Hard anodized |

| SURFACE INTERFACE BOX HARDWARE SPECIFICATIONS: | |
|---|---|
| INTERFACE TO PC | 10 Mbps Ethernet |
| INTERFACE TO SONAR HEAD | FSK analog telemetry |
| CABLE CONNECTOR | 5-pin MS (female) |
| SONAR HEAD POWER SUPPLY OUTPUT | 48 VDC |
| DIFFERENTIAL CAPABLE GPS | Built-in |
| DIMENSIONS | 31 cm (12.2") length x 26 cm (10.2") width x 8.7 cm (3.4") height |
| WEIGHT | 0.9 kg (2 lbs) |
| MATERIALS | Aluminum |
| FINISH | Powder Coated |
| POWER REQUIREMENT | 110 / 220 VAC 50 / 60 Hz, 0.1 Amp |

| SOFTWARE SPECIFICATIONS: | YellowFin.exe |
|---|---|
| WINDOWS™ OPERATING SYSTEM | Windows™ XP, Vista, 7, 8, 10 |
| ZOOM MODES | 1x, 2x, 3x, 4x, and 5x dynamically moveable |
| RANGE SCALES | 10 m, 20 m, 30 m, 40 m, 50 m, 60 m, 80 m, 100 m, 125 m, 150 m, and 200 m |
| FILE FORMAT | (filename).872, (filename).XTF |
| GPS INPUT (4800, N, 8, 1) NMEA 0183 FORMATS: | GLL and VTG; GGA and VTG; RMC |
| RECOMMENDED MINIMUM COMPUTER REQUIREMENTS: | 800 MHz Pentium 3 256 MB RAM 2 GB Hard Disk 1024 x 768 x 256 colour graphics |



| ORDERING INFORMATION: | | |
|--------------------------------------|----------|-------------|
| 300 m unit w / 23 m tow cable | Standard | 872-000-150 |
| Surface Interface Box | Standard | 872-000-001 |
| 60 m (200') Sidescan tow cable | Option | -021 |
| 100 m (330') Sidescan tow cable | Option | -033 |

Product and company names listed are trademarks or trade names of their respective companies.