

PolaNt Choke Ring B3/E6

High precision geodetic choke ring antenna



septentrio
Antennas



Scientific



Reference
Network Stations



KEY FEATURES

- ▶ Support current and planned GNSS signals from GPS, GLONASS, Galileo, BeiDou, IRNSS, QZSS and SBAS
- ▶ BeiDou B3 and Galileo E6 capable
- ▶ High phase center stability
- ▶ IGS calibration available with or without radome

Septentrio's PolaNt Choke Ring B3/E6 is a high precision geodetic multi-frequency, multi-constellation choke ring antenna for use with Septentrio's PolaRx family of high performance multiple-frequency GNSS reference receivers. It supports current and planned GNSS signals including BeiDou B3 and Galileo E6.

The PolaNt Choke Ring antenna incorporates low-noise amplifiers, powerful filters for out-of-band interference rejection combined with superior multipath rejection and a high phase centre stability.

It is a competitive alternative for Dorne & Margolin based antennas and is designed for high-end applications and reference station operations. The sealed radome allows reliable signal reception even in harsh conditions.

PolaNt Choke Ring B3/E6

FEATURES

GNSS Frequencies

L-Band (MSS)	
GPS	L1, L2, L5
GLONASS	L1, L2, L3
Galileo	E1, E5a, E5b, E6
BeiDou	B1, B2, B3
SBAS	L1, L5
IRNSS	L5
QZSS	L1, L2, L5, L6

Polarisation RHCP

Axial Ratio 3 db Max

Radiation Coverage

Zenith	6.0 dBic
15° elevation	-2.0 dBic
10° elevation	-3.0 dBic
5° elevation	-4.0 dBic
Horizon	-5.0 dBic

Amplifier

Gain	39 ± 2 dB
Noise Figure	2.6 dB max
Input Voltage	+4.2 to +15 VDC
Current	65 mA (typ)
Power handling	1 W
Impedance	50 Ω
VSWR	≤ 2.0:1

PHYSICAL AND ENVIRONMENTAL

Finish White UV Resistant Polyurethane Enamel

Weight 5 kg / 11.02 lb

Diameter 376 mm / 14.8 in

Connector N-Type Female

Operating Temperature -55° C to +85° C

-67° F to +185° F

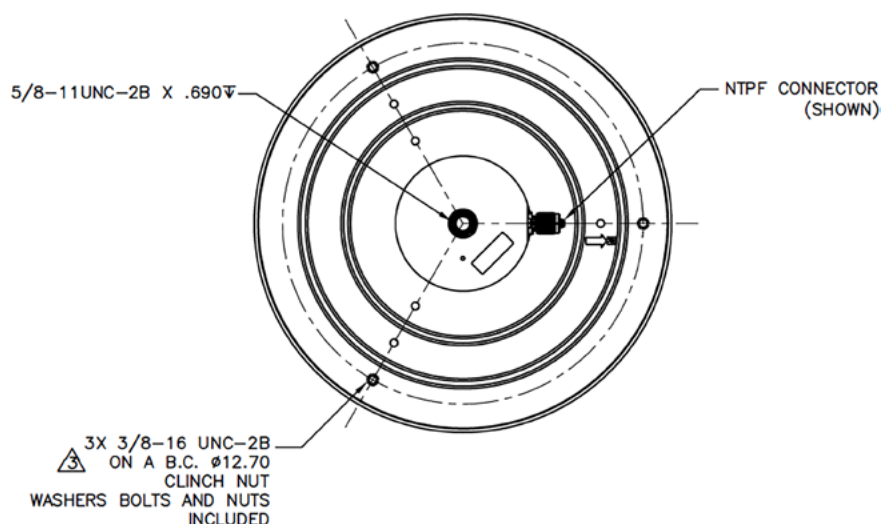
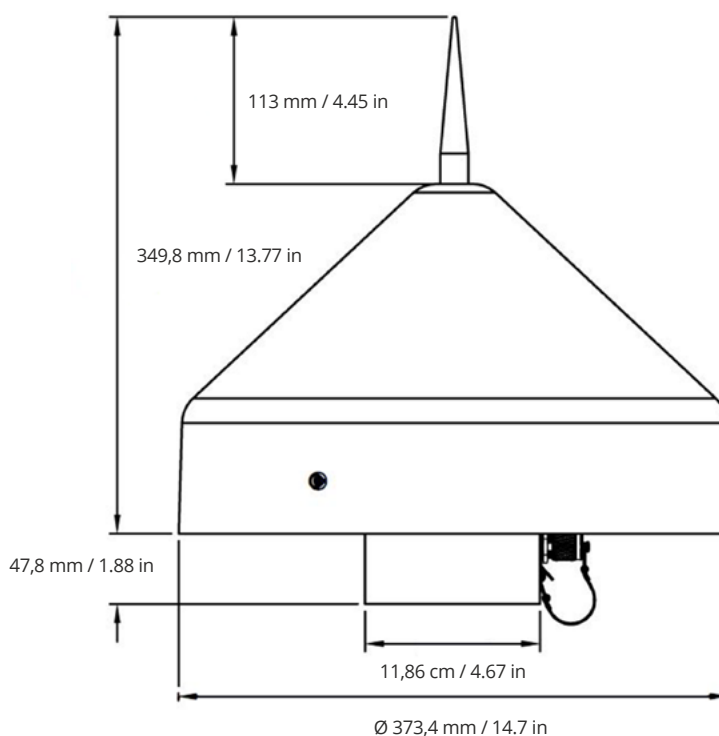
Designed to DO-160D

IGS Reference SEPCHOKE_B3E6

Certification CE, RoHS, WEEE



DIMENSIONS



EMEA (HQ)

Greenhill Campus
Interleuvenlaan 15i
3001 Leuven, Belgium
+32 16 30 08 00

Americas

Los Angeles, CA, USA

Asia-Pacific

Melbourne, Australia
Shanghai, China
Yokohama, Japan

